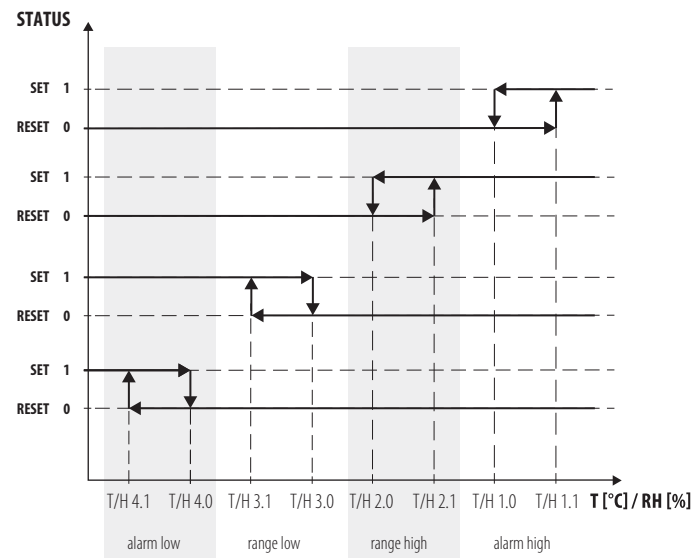


| Pin | Description |
|-----|-----------------------|
| 1 | +24V DC |
| 2 | n/a |
| 3 | GND |
| 4 | IO-Link Kommunikation |

| Art.-NO. Sensor x | Name |
|-------------------|---|
| 07300.0-00 | SEN073 (temperature / humidity), IP64 |
| 07300.1-00 | SEN073 (temperature / humidity), IP20, 1m |
| 07300.1-01 | SEN073 (temperature / humidity), IP20, 2m |
| 07301.0-00 | SEN073 (pressure / temperature), IP64 |
| 07302.0-00 | SEN073 (light), IP67/IP66 |
| 07303.0-00 | SEN073 (VOC), IP40 |

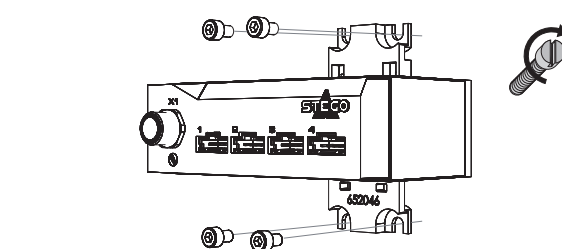
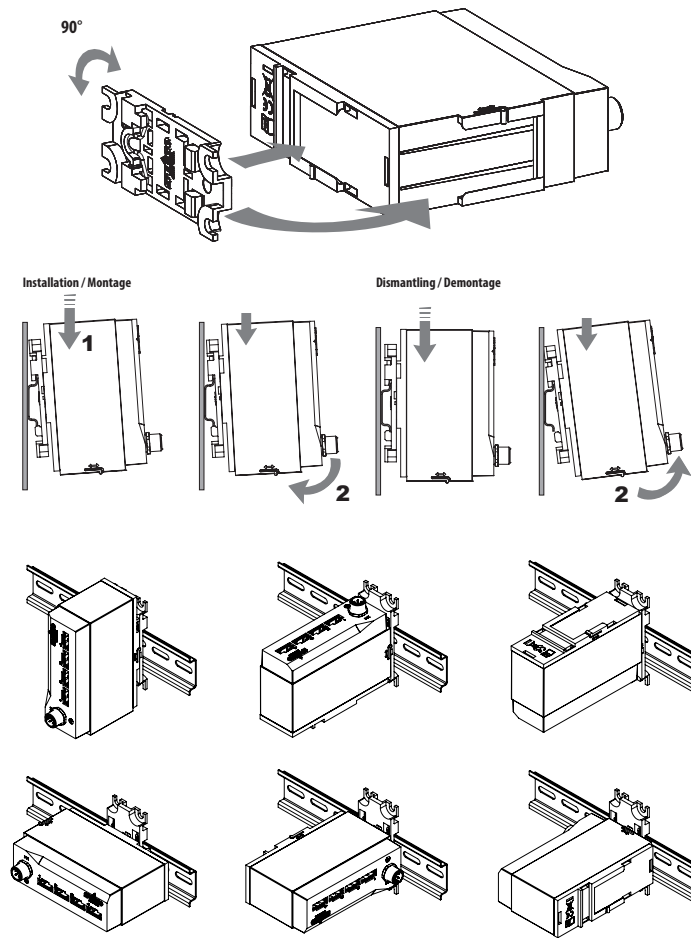
EVENTS (Example for one temperature/humidity-sensor)

| EVENT | SET 1 | | RESET 0 | |
|------------|--------------------|-----------------|--------------------|-----------------|
| | temperature T [°C] | humidity RH [%] | temperature T [°C] | humidity RH [%] |
| alarm high | T 1.1 | H 1.1 | T 1.0 | H 1.0 |
| range high | T 2.1 | H 2.1 | T 2.0 | H 2.0 |
| range low | T 3.1 | H 3.1 | T 3.0 | H 3.0 |
| alarm low | T 4.1 | H 4.1 | T 4.0 | H 4.0 |

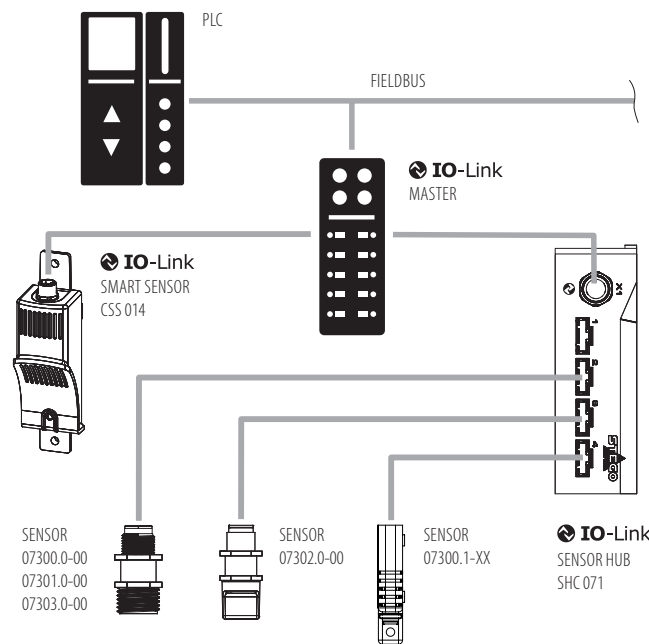


DIAGNOSIS

| |
|---|
| Device status |
| Error counter |
| Operating hours |
| Power-On counter |
| Event counters for max. a nd min. temperature and humidity values |
| Event counters for adjustable temperature and humidity parameters |
| Temperature and humidity histogram-data |
| Reset counters for temperature and humidity events |
| Reset whole parameter (NOTE: Password required „stego“) |



EXAMPLE



⚠️ WARNUNG
Bei Missachtung der Anschlusswerte oder falscher Polung besteht die Gefahr von Personen- und Geräteschädigungen!

⚠️ VARNING
Om anslutningsvärden åsidosätts eller vid polningsfel finns risk för person- och materialskador!

⚠️ WARNING
There is a risk of personal injury and equipment damage if the connection values are not observed or polarity is incorrect!

⚠️ VAROVÁNÍ
V případě nerespektování přípojných hodnot nebo nesprávné polaritě hrozí nebezpečí úrazů a poškození zařízení!

⚠️ AVERTISSEMENT
Le non-respect des valeurs de raccordement ou une mauvaise polarité peut engendrer des dommages corporels et matériels!

⚠️ OSTRZEŻENIE
W przypadku nieprzestrzegania wymaganych parametrów przyłącza albo niewłaściwej biegunowości powstaje zagrożenie urazami ludzi i uszkodzeniem urządzenia!

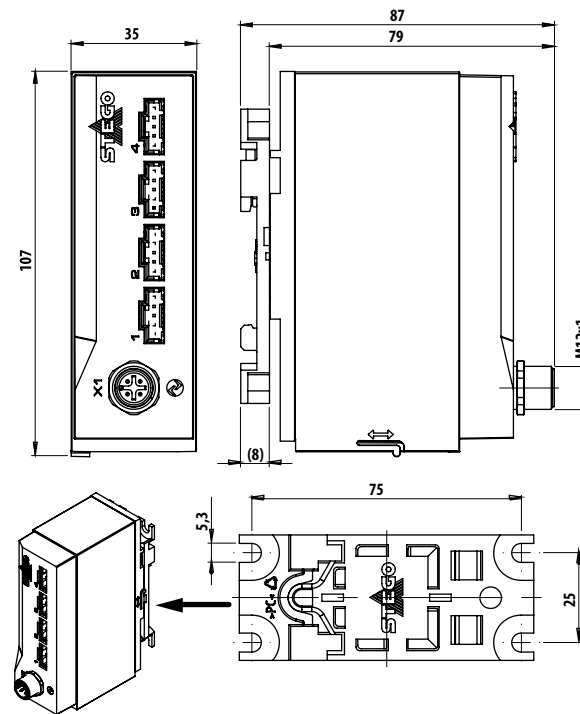
⚠️ ADVERTENCIA
En caso de no respetar los valores de conexión o realizar una polaridad errónea, existe el peligro de lesionar a las personas o dañar los equipos.

⚠️ ОСТОРОЖНО
при несоблюдении подключаемых значений или неверной полярности существует опасность травм персонала и повреждений оборудования!

⚠️ AVVERTENZA
Il mancato rispetto dei valori di collegamento o una polarità falsa può causare danni a persone e cose!

⚠️ DİKKAT
Bağlantı değerlerine uyulmaması veya yanlış kutup bağlantısı durumunda, insanlar zarar görebilir ve cihazda hasarlar oluşabilir!

⚠️ ATENÇÃO
No caso de inobservância dos valores de conexão ou no caso de conexão incorreta dos polos, existe o perigo de ferimentos e danos no aparelho!



| | | | |
|--|----------------------------------|--|------------------------|
| | -40 ... +80°C (-40 ... +176°F) | | max. 4000m |
| | max. 90% RH | | 2 Nm max. (17.7 lb-in) |
| | DC 24V (18 ... 30V), P max. 0.5W | | 110 g |

STEGO Elektrotechnik GmbH - Kolpingstrasse 21 - 74523 Schwaebisch Hall Germany - www.stego.de

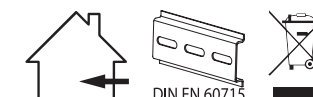
IO-Link



Type SHC 071

Zum späteren Gebrauch aufbewahren. Store for use at a later date.

IP40



681728 02/2022 - b

